



As defined by EN 17645. Go to report pages to see the complete detail by item.

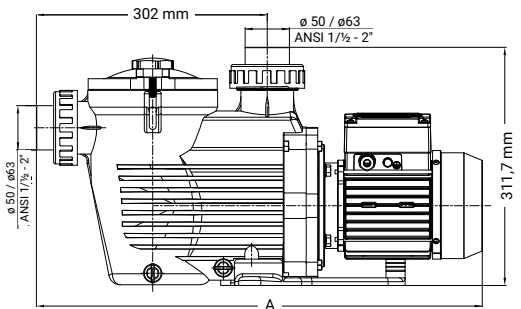
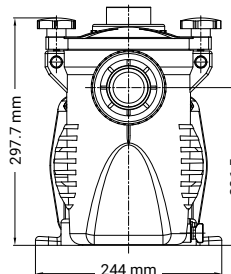
E-Flo

EASY AND SIMPLE, HIGH PERFORMANCE

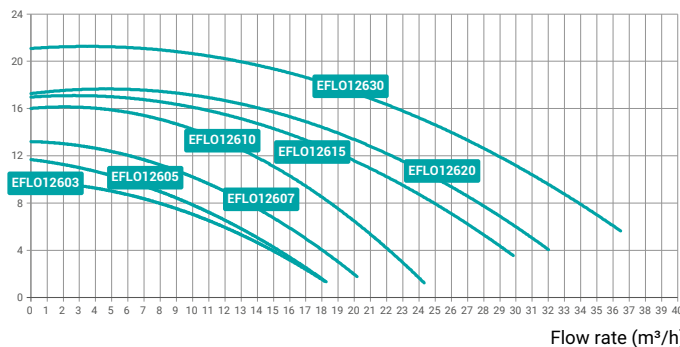
- **Easy maintenance:** rapid access to the prefilter (no tools required)
- Impeller and diffuser made of Noryl®, **very hard-wearing and corrosion-resistant**
- Silent and efficient operation
- **Simple installation,** supplied with 50 or 63 mm unions
- Double drain, easy opening (no tools required)
- Suitable for use in salt water. AISI316 Mechanical seal



THIS PUMP MODEL EXISTS IN VARIABLE SPEED



Column of water (M.C.W.)



Technical Specifications

Max. water temp. / Max. pressure	50°C/ 2,5 bar
Mechanical seal	AISI 316, suitable for sea water
Motor-drive specifications	TEFC, Class F, IPX5, 50 and 60 Hz, 2850 rpm
Housing/impeller/strainer/lid	PP + F.G/Noryl®/PP/SAN®
Prefilter size	3.5 L

	Type HP	Dim. A (mm)	Weight (kg)	Fittings** ø (mm)	Flow rate*	P1 Max. (W) (Maximum consumption of the pump)	Nominal power of the motor P2 (W)	Amps at P1 Max (A)	Quantity per pallet	Item	
50 Hz SINGLE PHASE E-FLO	1/3	543	11.5	50	7.9 m³/h	570	370	2.5	In progress	EFL012603XY1E2	IE2✓ ¹
	1/2	590	12.7	50	9.8 m³/h	635	370	2.8	In progress	EFL012605XY1E2	IE2✓ ¹
	3/4	590	13.7	50	13.4 m³/h	800	550	3.6	In progress	EFL012607XY1E2	IE2✓ ¹
	1	590	14.2	50	18.6 m³/h	1100	750	4.9	In progress	EFL012610XY1E2	IE2✓ ¹
	1.5	620	17	63	25 m³/h	1615	1100	7.3	In progress	EFL012615XY1E2	IE2✓ ¹
	2	620	22.5	63	27.8 m³/h	1920	1500	8.8	In progress	EFL012620XY1E2	IE2✓ ¹
	3	620	25.5	63	33.9 m³/h	2710	2200	13	In progress	EFL012630XY1E2	IE2✓ ¹
50 Hz THREE PHASE E-FLO	1/2	590	12.5	50	9.8 m³/h	580	368	2.25/1.4	In progress	EFL012605XY3	IE2✓
	3/4	590	13.5	50	13.6 m³/h	750	552	3/1.7	In progress	EFL012607XY3	IE2✓
	1	620	16.5	50	18.6 m³/h	1000	736	3.4/2	In progress	EFL012610XY3	IE3✓
	1.5	620	19	63	25 m³/h	1600	1104	5/2.9	In progress	EFL012615XY3	IE3✓
	2	620	25	63	27.8 m³/h	1920	1472	6.1/3.5	In progress	EFL012620XY3	IE3✓
60 Hz SINGLE PHASE E-FLO	3/4	590	13.7	50	13.4 m³/h	800	550	3.6	In progress	EFL012607XY16E2	IE2✓ ¹
	1	590	14.2	50	18.6 m³/h	1100	750	4.9	In progress	EFL012610XY16E2	IE2✓ ¹
	1.5	620	17	63	25 m³/h	1615	1100	7.3	In progress	EFL012615XY16E2	IE2✓ ¹
	2	620	22.5	63	27.8 m³/h	1920	1500	8.8	In progress	EFL012620XY16E2	IE2✓ ¹
	3	620	25.5	63	33.9 m³/h	2710	2200	13	In progress	EFL012630XY16E2	IE2✓ ¹
60 Hz THREE PHASE E-FLO	3	620	27	63	33.9 m³/h	2600	2208	8.3/5	In progress	EFL012630XY36	IE3✓

* At 8 m water column

** All bodies have a 2" connection. Possibility of having the 1.5" ANSI connection by adding the code MAINS15 or 2" with the code MAINS20, both sold by 100 pcs. Unit codes also available : 500100251200 - 2 fittings ø 1-1/2" et 500100252000 - 2 fittings ø 2"

1. The majority of our pumps already shift to IE2 motors. For some codes, we still have stock of pumps with IE1 motors and we will be shipping them until the end of the stocks. IE1 motors pumps codes, are the codes above without E2 at the end.